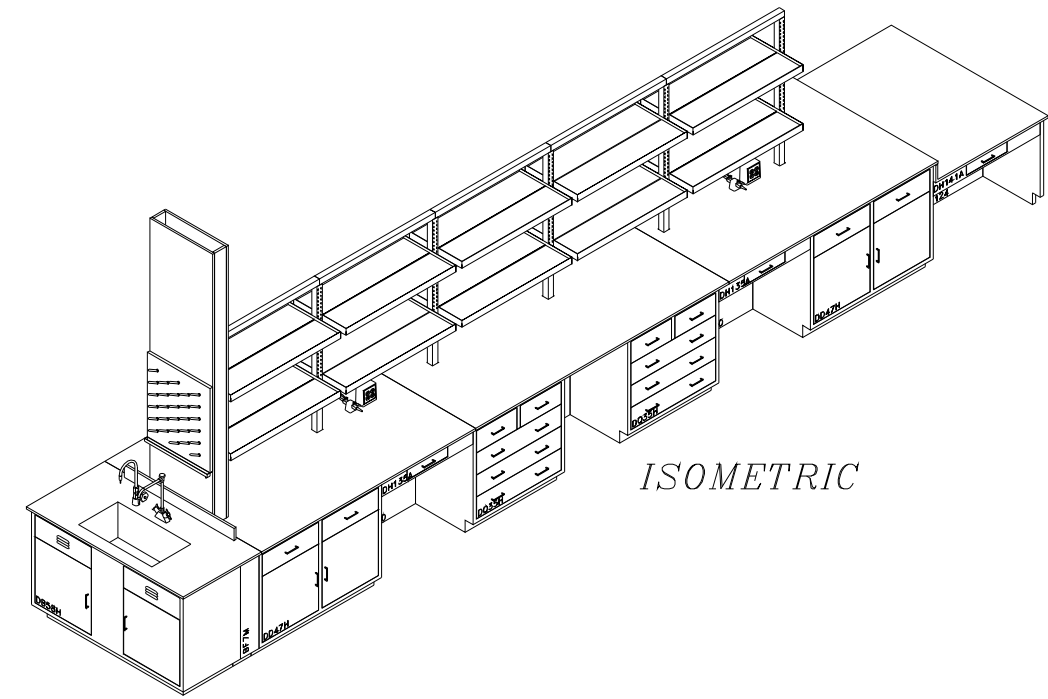
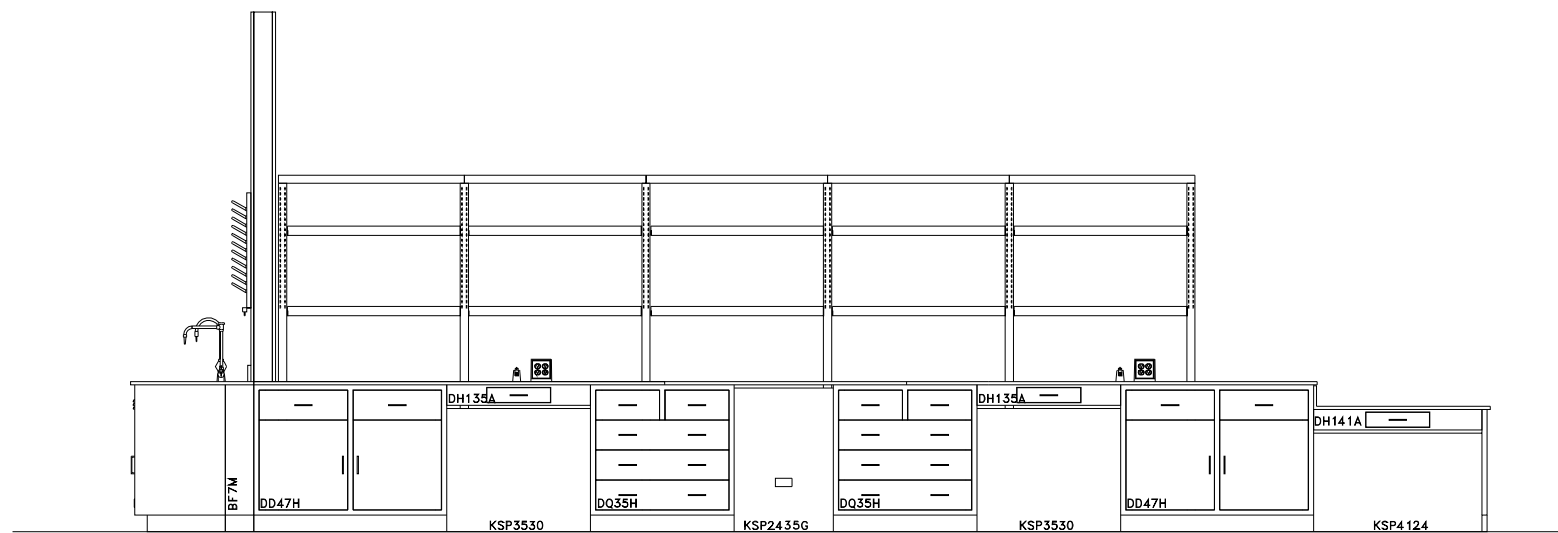


ELEVATION A



ISOMETRIC



ELEVATION C

DRAWN BY	DATE	SCALE	
JDP	2/16/07	1/4" = 1'	
SHEET NO:	JOB NO:	QUOTE NO:	REV. NO:
1 OF 1			