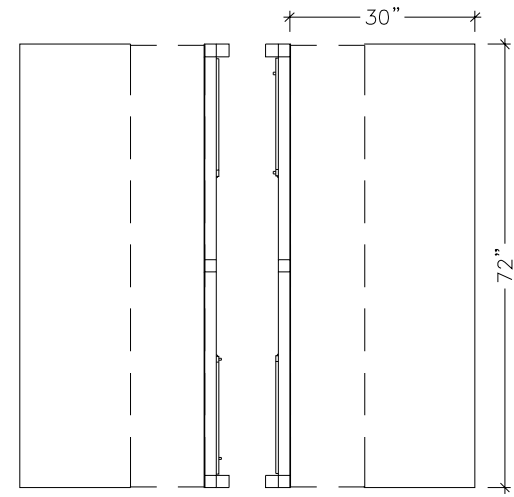
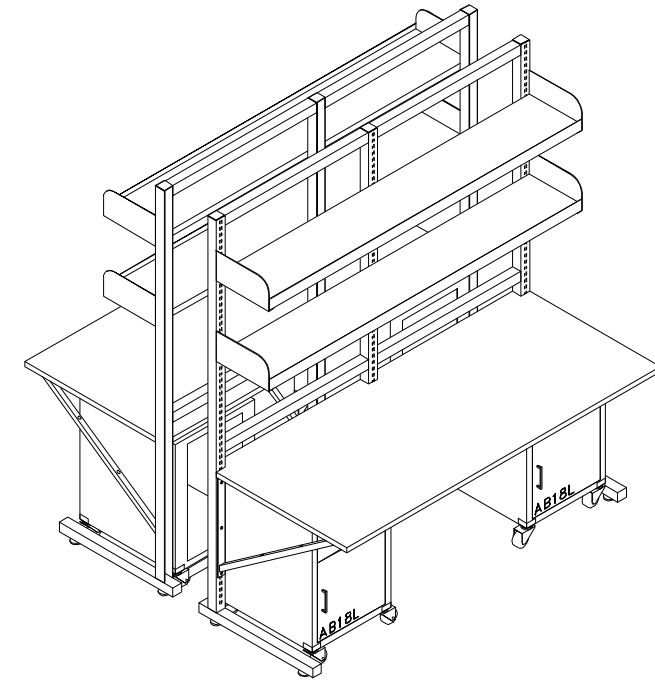


NOTE: SEE KEY PLAN FOR LOCATION OF EACH STATION

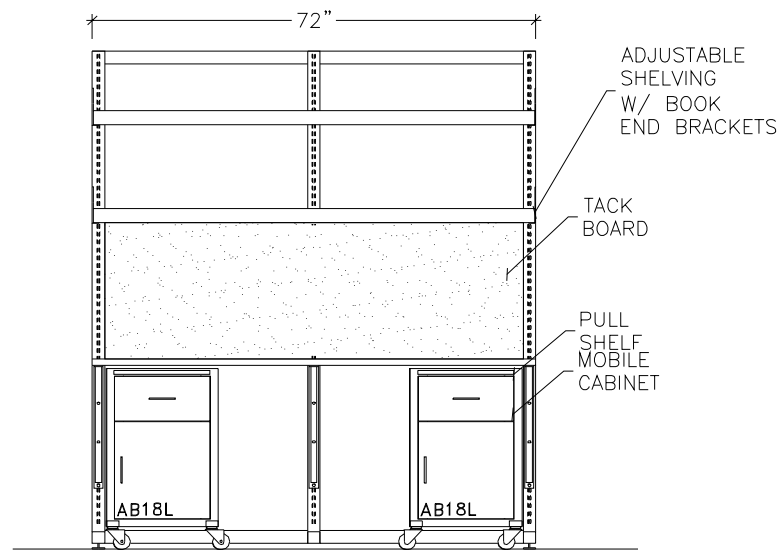
| Parts list | | | |
|------------|---------|--------------------------------|-------|
| Qty | Part # | Description | Size |
| 6 | TECHSTA | Tech Station w/ Mobile Cabinet | "APP" |



PLAN

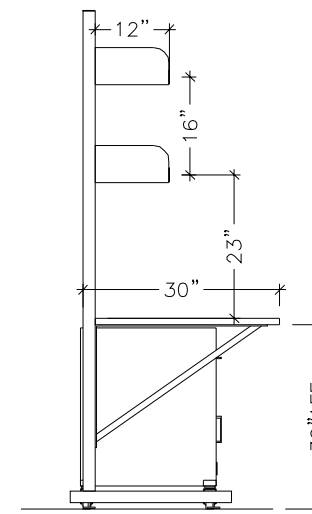


ISOMETRIC



ELEVATION

(6 EA) STATIONS REQUIRED



SIDE



HANSON

HANSON LAB FURNITURE, INC.
814 MITCHELL RD.
NEWBURY PARK, CA 91320
PH: 805/498-3121
FAX: 805/498-1855

KYPHON, INC.
SUNNYVALE, CA

| | | | | | |
|-----------|---------|-----------|---------|-----------|----------|
| DRAWN BY | DATE | SCALE | JOB NO: | QUOTE NO: | REV. NO: |
| HT | 6/15/04 | 3/8" = 1' | 3174 | 4044 | A |
| SHEET NO: | | | | | |
| 5 OF | | | | | |