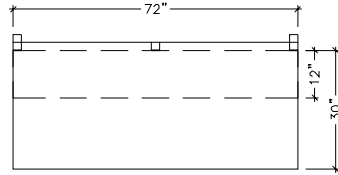
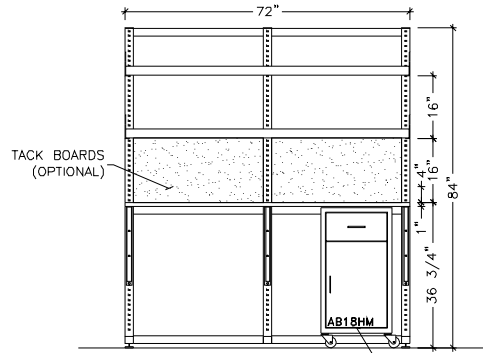


*SIDE*

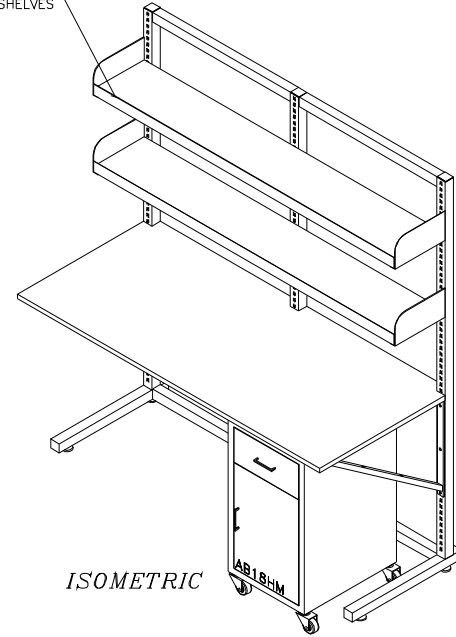


*PLAN*



*ELEVATION*

FRONT EQ LIP  
ON SHELVES



*ISOMETRIC*

|                  |                  |                     |                 |                       |
|------------------|------------------|---------------------|-----------------|-----------------------|
| DRAWN BY:<br>JDP | DATE:<br>4/26/04 | SCALE:<br>3/8" = 1' | SHEET NO:<br>OF | QUOTE NO:<br>REV. NO. |
|------------------|------------------|---------------------|-----------------|-----------------------|

HANSON LAB FURNITURE, INC.  
814 MITCHELL RD.  
NEWBURY PARK, CA 91320  
PH: 805/498-3121  
FAX: 805/498-1855

